

PROCONTROL

ProxerGate M3E intelligent tripod turnstile



The ProxerGate M3E is an intelligent, tripod turnstile for controlled access of persons.

Structure

The ProxerGate M3E turnstile is a modern, designed, space-saving, customisable automatic gate. The solid and firm metal body holds the three-arm rotor unit with one drop arm, the intelligent electronic board, sensors and control units (RFID card reader terminal, barcode reader is available), encased in stainless steel.

It can be wall-mounted or fixed on a stand with four M8 bolts; it takes up minimum room. It is available in external design with brushed stainless steel covering. ProxerGate M3E provides a touch-free, bi-directional entrance.

Suggested optimal fixing height is 810mm from the pavement level to the horizontal arm's axis. RFID reader, optionally QR, barcode reader can be built-in the top front.

Operation

The ProxerGate M3E provides touch-free entrance: the entering person shows their identifier to the card reader placed in the top front plate of the gate. The gate verifies if the person is allowed to enter into that direction in that specific time. If they are, then it gives green light. The rotating arm turns into the direction with a certain speed, so the passing would be free from collision and difficulty.

Optical sensors supervise the person passing through and the gate operates in accordance.

Using the gate is easy and safe: the "free" or "locked" entry is indicated by the international colours of traffic lights (red, yellow and green), and accompanied with (releasable) sound.

In case of sabotage or aggressive intervention the system gives an alarm signal, and stores the data in the event log.



ProxerGate M3E has neither sharp edges nor parts causing injuries. (Persons with disabilities can use ProxerPort swing gate or ProxerGate Slip, which is designed for safe passing with wheelchairs also.)

The gate is equipped with a two-way communication interface, enabling a detailed query of movement data, event log, status and uploading of requested mode, permission table, parameter table, etc.

Features

- Automatic, motorized rotating gate, equipped with distance sensor
- Easy to integrate to access control systems
- Built-in card readers available
- Fire alarm system connection
- Bi-directional passage monitoring
- High level security access control
- Anti pass-back function
- Stainless steel framework
- Designed for indoor and outdoor use
- Exclusive design
- Flow rate: 20 people per minute



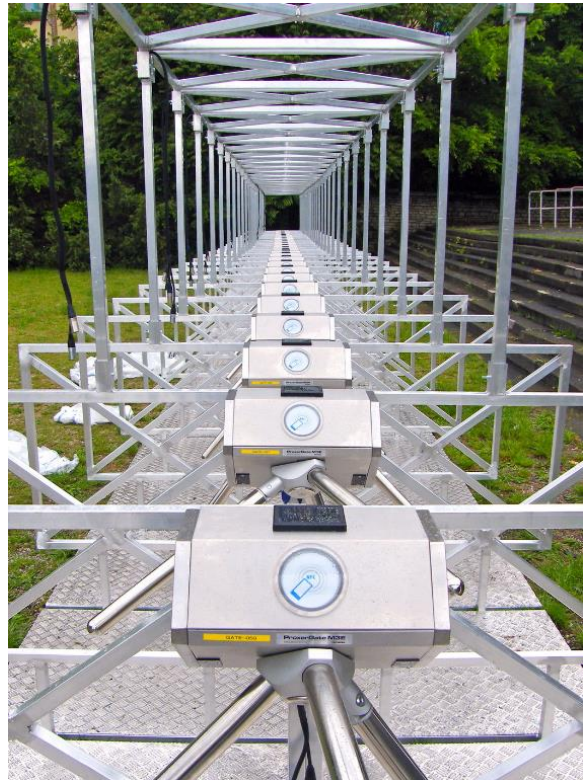
Technical specifications

- Dimensions: see drawing below
- Power supply: 12V DC, optionally 90-240V AC
- Power consumption: 3W (peak 200W)
- Accepted ID tags (depends on built in reader):
 - RFID proximity card / tag / wristband
 - Barcode, QR code
 - Fingerprint
- Weight: 28kg
- Operating temperature range: -20 - +45C
- Relative humidity: max. 80%

Options

- Guide barriers in a good selection (high gloss, curved, glass paneled, removable etc.)
- Gate controller readers: (RFID proximity, barcode, biometric readers)
- Can be connected to fire alarm systems
- Alarm sound/light

- Remote controller
- Can be combined with a payment machine to a paid entry turnstile
- Further options
 - Date-, time-, voice recording
 - Storing movement directions
 - Identification
 - Displaying name
 - Recording reason of leaving
 - Working hours balance
 - Permission authorization
 - Event log
 - Tune, melody signals
 - Sabotage protection
 - Remote maintenance



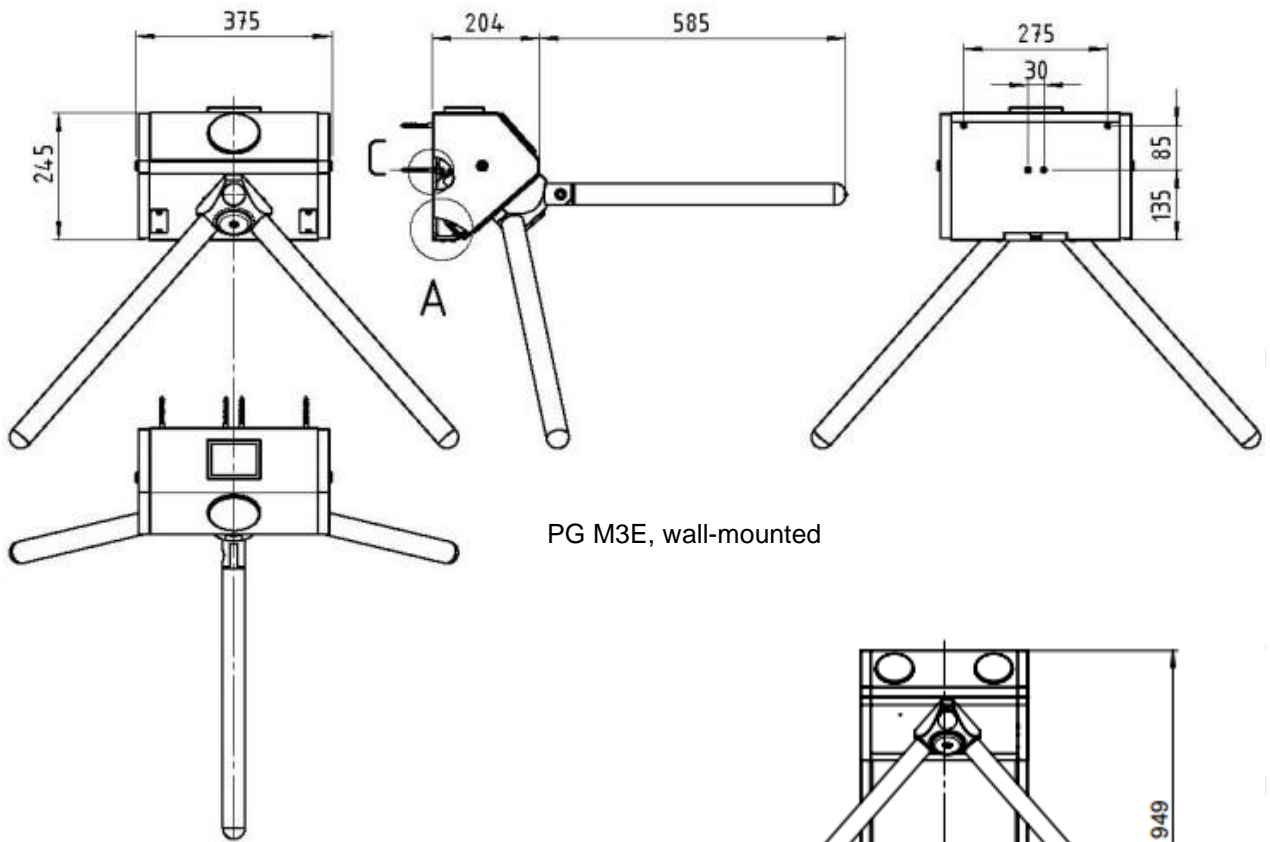
Operation modes

- Closed in both directions
- IN direction opened with authorized card
- OUT direction opened with authorized card
- Both directions opened with authorized card
- Both directions opened (without card)
- IN direction opened (without card)
- OUT direction opened (without card)
- Service mode

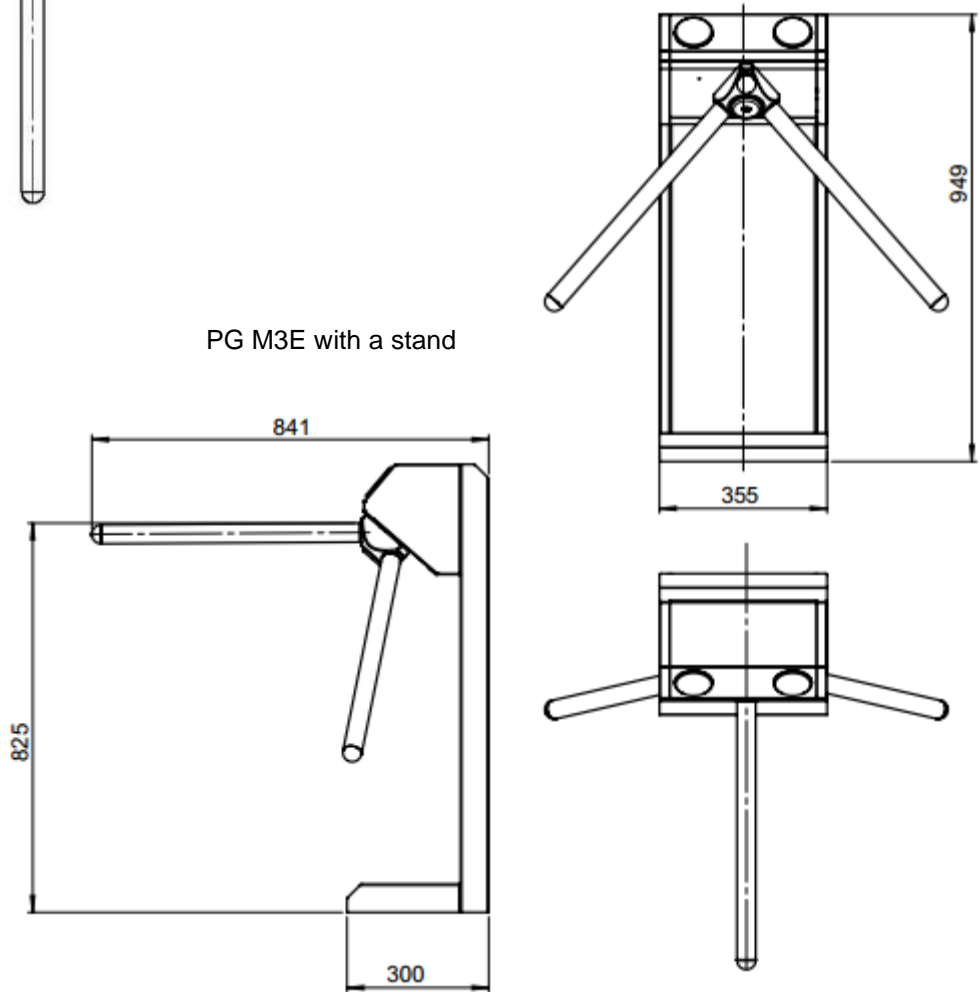
Versions

There are two types of gates according to emergency responses.

- **ProxerGateM3E**: drop arm/ panic arm version; basic model. In case of a fire alarm the revolving arm is automatically dropped, providing free passage. It is available IP protected external design.
- **ProxerGateM3**: In case of a fire or other emergency, the revolving arms automatically switch into free to turn mode. Authorization checking becomes disabled, card reading is not required, and everyone is allowed to pass. The gate turns automatically before the person. – *only at previous production*



PG M3E, wall-mounted



PG M3E with a stand